

DRYVAC

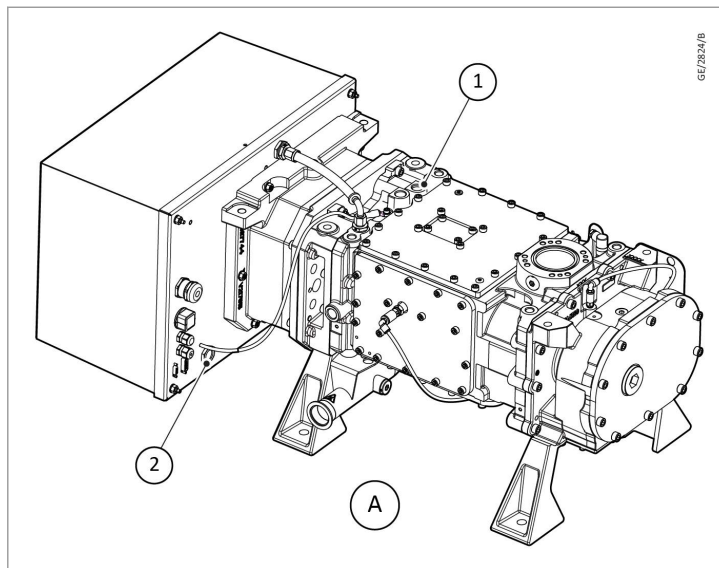
DV 200, DV 300, DV 500

**WARNING: READ THE OPERATING MANUAL**

Risk of injury or damage to the equipment. Do not install and commission the pump only with reference to this quick start guide. Connection and operation of a DRYVAC pump involve a potentially high risk which is not covered in this quick start guide. Read and follow the instructions given in the operating instructions for your DRYVAC pump.

Start the pump

To start the pump, do the steps as follows:

1. Connect the cooling water supply

A. DRYVAC without cooling water unit

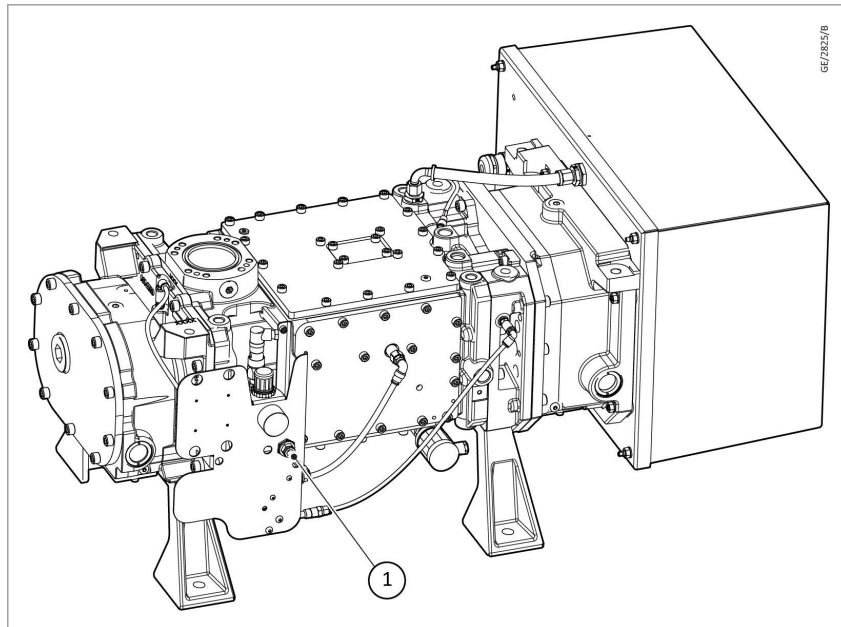
1. Cooling water out (G1/2" female) 2. Cooling water in (G1/2" female)

Use the connectors according to the type of pump.

Start the pump

2. Connect the purge gas supply

- A. Purge the pump with nitrogen or clean dry air.
- B. Connect 10 mm hose to the self fitting connector.



1. Purge gas IN

 **Note:**

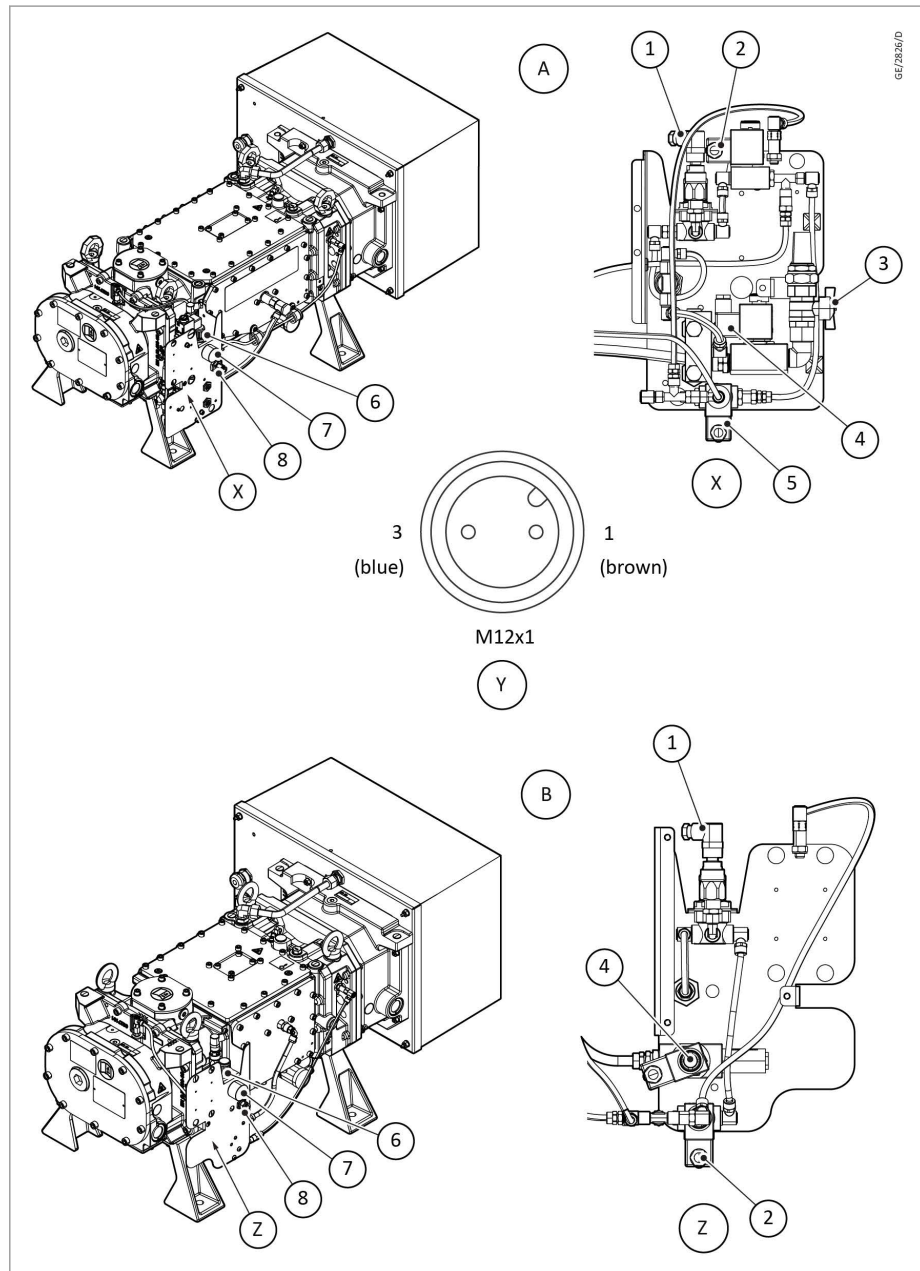
The DV 200-500 must be operated with shaft seal purge (valve 2). Gas ballast is optional and depends on the application.

Start the pump

3. Connect solenoid valves and purge gas sensor

Connect solenoid valves and purge gas sensor to control the purge gas.

Always use the shaft seal purge to valve position 2.



A. For DV 500**

1. Purge gas pressure switch
3. Gas ballast flow adjustment valve
6. Purge gas pressure regulator
8. Purge gas IN

B. For DV 200 and DV 300**

2. Purge gas control valve
4. Gas ballast control valve
5. High vacuum purge flow control valve*
7. Purge gas pressure gauge

* Only used for special applications, refer to the main manual (publication number - 300750767)

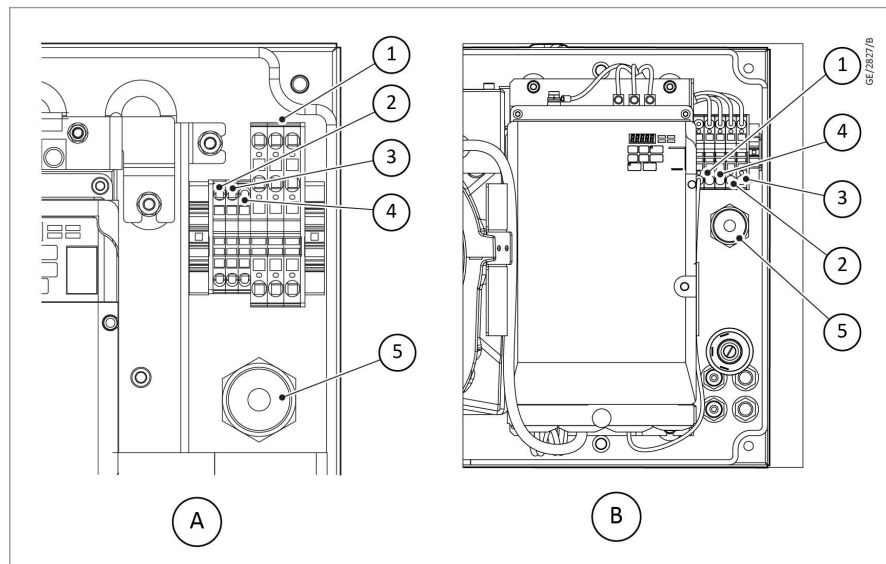
** Always use shaft seal purge (valve 2). There is no polarity (24 V d.c.) given for solenoid valves.

Start the pump

Table 1 Purge gas pressure switch connection (Y)

Voltage	42 V maximum
Switching capacity	100 VA
Cable screw connection	M12 x 1
Mating connector	M12 x 1 DIN EN 61076-2-LF

4. Connect the mains voltage



A. For DV 500

B. For DV 200 and DV 300

1. PE

2. L3

3. L2

4. L1

5. Mains cable connection

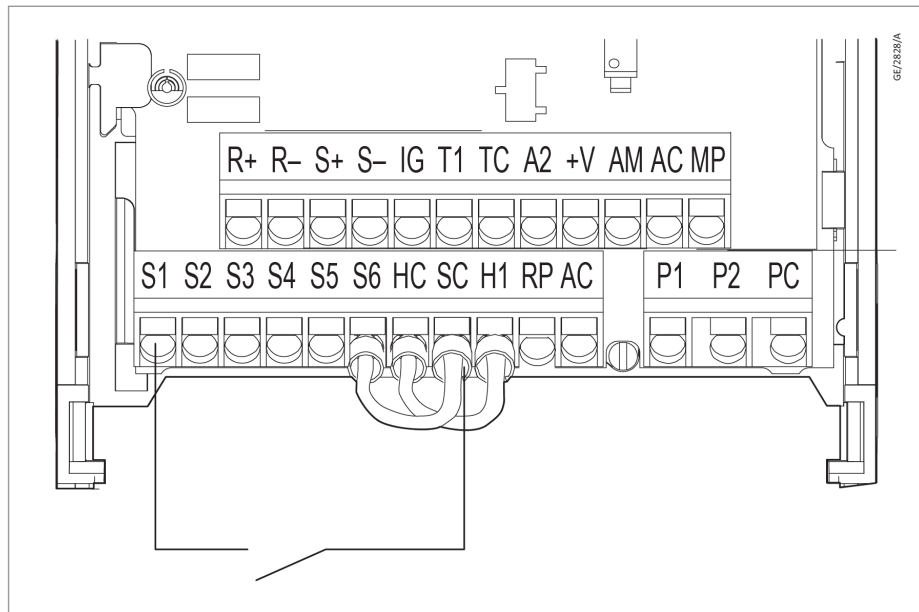
Insert the mains cable through the cable gland and connect to PE, L1, L2, L3.

- For DV 200 and DV 300: Use mains cable - 4 x 6 mm² 3-ph, PE.
- For DV 500: Use mains cable - 4 x 10 mm² 3-ph, PE.

Start the pump

5. Connect the frequency converter

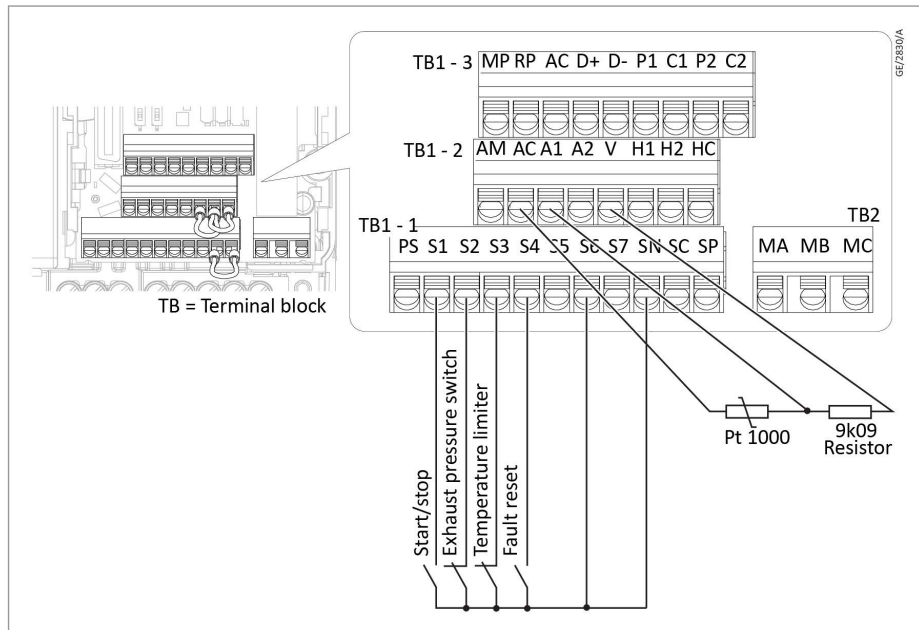
Connect V 1000 frequency converter (for DV 200 and DV 300)



To operate the pump by I/Os:

- Bridge SC and S1 to start the pump.
- Open SC and S1 to stop the pump.

Connect GA 500 frequency converter (for DV 500)



To operate the pump by I/Os:

- Bridge SN and S1 to start the pump.
- Open SN and S1 to stop the pump.